

Bestellung / Purchase Order:
Ersatzteile / spare parts :



| | |
|---|--|
| Firma / Company | |
| Anschrift / Adress | |
| Ansprechpartner / Contact Person | |
| Telefon / Phone | |
| Fax | |

Datum, Unterschrift, Firmenstempel /
Date, signature, stamp

| Pos. | Ident-Nr | Verkaufsbezeichnung | description | | | | | Bestellmenge / Quantity |
|------|----------|---|---|------------------------|-------------------------------|----------------------------|--------------------------|-------------------------|
| | | | | 30276 EXWELD alpha3 EC | 30278 EXWELD alpha3 EC TWISTY | 30285 EXWELD alpha3 EC PVC | 30287 EXWELD alpha3 EC P | |
| 1 | 14187 | Granulatormesser | Cutter wheel | x | x | x | x | |
| 2 | 10780 | Schelle Breite: 20 mm Spannbereich: 45 – 51 mm | Clamp Width: 20 mm Clamping area: 45 – 51 mm | x | x | x | x | |
| 3 | 20071 | Einzugsgehäuse für EXWELD alpha, alpha2 und alpha 3 | Rod intake housing for EXWELD alpha, alpha2 and alpha3 | x | x | x | | |
| 3 | 23645 | Einzugsgehäuse für EXWELD alpha2 P und alpha3 P | Rod intake housing for EXWELD alpha2 P and alpha3 P | | | | x | |
| 4 | 30299 | Antrieb Alpha3 vorbereitet | Motor for alpha3 prepared | x | x | x | x | |
| 4a | 22157 | Motorhandgriff (blau), vorbereitet für EXWELD alpha-Baureihe | Handle (blue) for motor, prepared for EXWELD alpha-type | x | x | x | x | |
| 4b | 18252 | Griffschale (schwarz) für Motor für EXWELD alpha-Baureihe | Rear handle plate (black) for motor for EXWELD alpha-type | x | x | x | x | |
| 4c | 20816 | Kohlebürsten für Antrieb von EXWELD alpha2 EC/SC (ab Antriebsnummer 12761), alpha3 EC/SC | Carbon brushes for motor of EXWELD alpha2 EC/SC (since motor no. 12761), alpha3 EC/SC | x | x | x | x | |
| 4d | 20815 | Kohlebürstenhalter für Antrieb von EXWELD alpha2 EC/SC (ab Antriebsnummer 12761), alpha3 EC/SC | Carbon brush holder for Motor of EXWELD alpha2 EC/SC (since motor no. 12761), alpha3 EC/SC | x | x | x | x | |
| 5 | 17622 | Filzring D24xD19x1,2 mm | Felt ring D 24 x D 19 x 1,2 mm | x | x | x | x | |
| 6 | 18346 | Einzugsschnecke als Set (bestehend aus Einzugsschnecke, Klauenaufnahme und Sicherungsring) für EXWELD alpha, alpha2, alpha3 | Rod intake screw as complete set (consisting of Rod intake screw, coupling and retaining ring) for EXWELD alpha, alpha2, alpha3 | x | x | x | x | |
| 7 | 30294 | Leiterplatine für Luftherhitzer mit Deckel, Heizelement und Isolierrohr sigma3 EC, alpha3 EC ohne Brennerrohr | Control board for pre heater with cover plate, heating element and insulating tube sigma3 EC, alpha3 EC without heating barrel | x | x | x | x | |
| 7a | 30303 | Luftherhitzerrohr EXWELD alpha3 EC | Heating barrel EXWELD alpha3 EC | x | | x | x | |
| 7b | 30304 | Luftherhitzerrohr alpha3 EC TWISTY | Heating barrel Exweld alpha3 EC TWISTY | | x | | | |
| 7c | 30762 | Thermoelement | Thermo couple | x | x | x | x | |

Bestellung / Purchase Order:
Ersatzteile / spare parts :



| | |
|---|--|
| Firma / Company | |
| Anschrift / Adress | |
| Ansprechpartner / Contact Person | |
| Telefon / Phone | |
| Fax | |

Datum, Unterschrift, Firmenstempel /
Date, signature, stamp

| |
|-------------------------------|
| 30276 EXWELD alpha3 EC |
| 30278 EXWELD alpha3 EC TWISTY |
| 30285 EXWELD alpha3 EC PVC |
| 30287 EXWELD alpha3 EC P |

| Pos. | Ident-Nr | Verkaufsbezeichnung | description | 30276 EXWELD alpha3 EC | 30278 EXWELD alpha3 EC TWISTY | 30285 EXWELD alpha3 EC PVC | 30287 EXWELD alpha3 EC P | Bestellmenge / Quantity |
|------|----------|--|--|------------------------|-------------------------------|----------------------------|--------------------------|-------------------------|
| 7d | 30974 | Heizelement 230 V / 2500 W als Ersatzteil für Lufterhitzer inkl. Isolierrohr | Heating element 230 V / 2500 W as spare part for preheater incl. insulating tube | x | x | x | x | |
| 7e | 30319 | Isolierrohr außen (Steuerung) | Outer insulating tube (control board) | x | x | x | x | |
| 7f | 30321 | Isolierrohr innen (Heizelement) | Inner insulating tube (heating element) | x | x | x | x | |
| 8 | 20250 | Extrudatschnecke für EXWELD alpha2, alpha3 | Extrusion screw for EXWELD alpha2, alpha3 | x | x | | | |
| 8 | 12917 | Extrudatschnecke für EXWELD alpha-Baureihe | Extrusion screw for EXWELD alpha-type | | | x | | |
| 8 | 23815 | Extrudatschnecke für EXWELD alpha2 EC/SC P, alpha3 EC/SC P | Extrusion screw for EXWELD alpha2 EC/SC P, alpha3 EC/SC P | | | | x | |
| 9 | 20251 | Extrudatzylinder für EXWELD alpha2, alpha3 | Melting chamber for EXWELD alpha2, alpha3 | x | x | x | x | |
| 10 | 20709 | Satz Heizungschalen komplett inkl. Heizpatronen und Thermofühler für EXWELD alpha2, alpha3 | Set of heating form compl. including heater cartridge and thermocouple for EXWELD alpha2, alpha3 | x | x | x | x | |
| 10a | 30345 | Kabelrohr EXWELD alpha3-Serie | Cable tube for EXWELD alpha3 series | x | x | x | x | |
| 11 | 14140 | Extrudatdüse, 2.5 mm für EXWELD alpha-Baureihe | Nozzle extrudat, 2.5 mm for EXWELD alpha-type | x | | x | x | |
| 11 | 15711 | Extrudatdüse, 6 mm für EXWELD alpha PVC-Baureihe | Nozzle extrudat, 6 mm for EXWELD alpha PVC-type | | | x | | |
| 11 | 15079 | Extrudatdüse TWISTY EXWELD alpha-Baureihe | Extrusion nozzle TWISTY EXWELD alpha series | | x | | | |
| 11a | 15142 | Deckel, komplett (für TWISTY) | Air guide disk (for TWISTY) | | x | | | |
| 11b | 17247 | Gehäuse (für TWISTY) | Housing (for TWISTY) | | x | | | |
| 12 | 10483 | Isolierscheibe für Extruder | Insulating ring for extrusion welders | x | x | x | x | |
| 13 | 30329 | Steuerungsgehäuse ohne Deckel EXWELD x3-Serie | Control box without cover EXWELD x3-type | x | x | x | x | |
| 13a | 30913 | Steuerungsplatine Niederspannung mit Anzeigensteuerung und Programmierung EXWELD x3-Serie EC | Control board low voltage with indication control and programming EXWELD x3-type EC | x | x | x | x | |
| 13b | 30737 | Steuerungsplatine Leistungssteuerung | Control board power control | x | x | x | x | |
| 13c | 17725 | Kabelverschraubung | Screwed cable gland | x | x | x | x | |

Bestellung / Purchase Order:
Ersatzteile / spare parts :

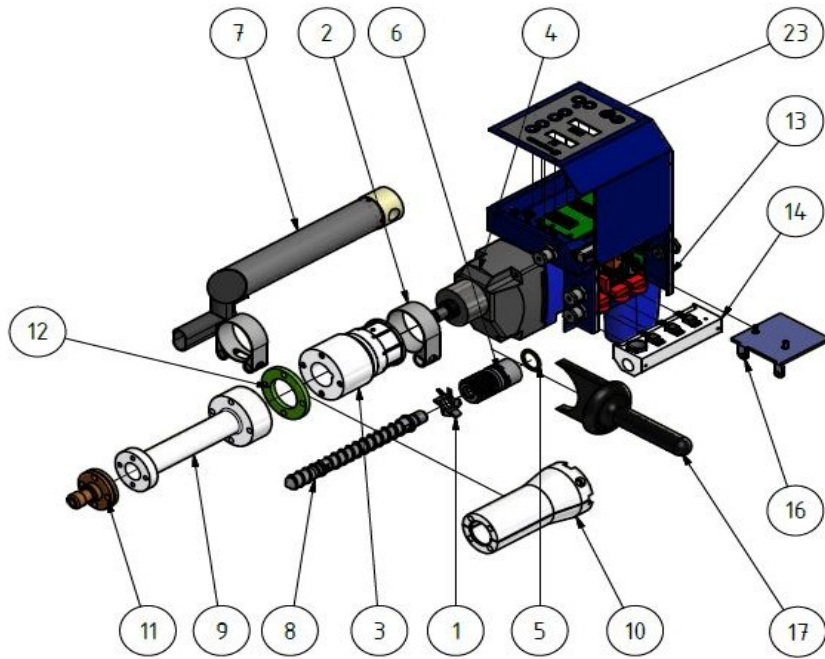


| | |
|---|--|
| Firma / Company | |
| Anschrift / Adress | |
| Ansprechpartner / Contact Person | |
| Telefon / Phone | |
| Fax | |

Datum, Unterschrift, Firmenstempel /
Date, signature, stamp

| |
|-------------------------------|
| 30276 EXWELD alpha3 EC |
| 30278 EXWELD alpha3 EC TWISTY |
| 30285 EXWELD alpha3 EC PVC |
| 30287 EXWELD alpha3 EC P |

| Pos. | Ident-Nr | Verkaufsbezeichnung | description | 30276 EXWELD alpha3 EC | 30278 EXWELD alpha3 EC TWISTY | 30285 EXWELD alpha3 EC PVC | 30287 EXWELD alpha3 EC P | Bestellmenge / Quantity |
|------|----------|--|--|------------------------|-------------------------------|----------------------------|--------------------------|-------------------------|
| 14 | 30343 | Verteiler Steuerungsblock | Distributor control block | x | x | x | x | |
| 14a | 20845 | Wärmeleitpaste, 20 ml | Heat conductive paste, 20 ml | x | x | x | x | |
| 16 | 30337 | Halter für Steuerungsgehäuse EXWELD alpha3 | Mounting bracket control box EXWELD alpha3 | x | x | x | x | |
| 17 | 12107 | Handgriff | Handle | x | x | x | x | |
| 23 | 30330 | Steuergehäusedeckel EXWELD x3-Serie | Cover control box EXWELD x3-type | x | x | x | x | |
| 23a | 30631 | Folientastatur | Foil keyboard | x | x | x | x | |



30276 EXWELD alpha3 EC



30278 EXWELD alpha3 EC TWISTY



30285 EXWELD alpha3 EC PVC



30287 EXWELD alpha3 EC P

Abbildungen können abweichen / Änderungen vorbehalten
 Pictures may differ from product / change reserved